

## LIN J2602 Transceiver

### Features

- The MCP2003 and MCP2004 are compliant with LIN Bus Specifications 1.3, 2.0 and 2.1 and are compliant to SAE J2602
- Support Baud Rates up to 20 Kbaud with LIN-compatible output driver
- 43V load dump protected
- Very low EMI meets stringent OEM requirements
- Very high ESD immunity:
  - >20kV on VBB (IEC 61000-4-2)
  - >14kV on LBUS (IEC 61000-4-2)
- Very high immunity to RF disturbances meets stringent OEM requirements
- Wide supply voltage, 6.0V-27.0V continuous
- Extended Temperature Range: -40 to +125°C
- Interface to PIC<sup>®</sup> MCU EUSART and standard USARTs
- Local Interconnect Network (LIN) bus pin:
  - Internal pull-up resistor and diode
  - Protected against battery shorts
  - Protected against loss of ground
  - High current drive
- Automatic thermal shutdown
- Low-power mode:
  - Receiver monitoring bus and transmitter off, ( $\cong 5 \mu\text{A}$ )



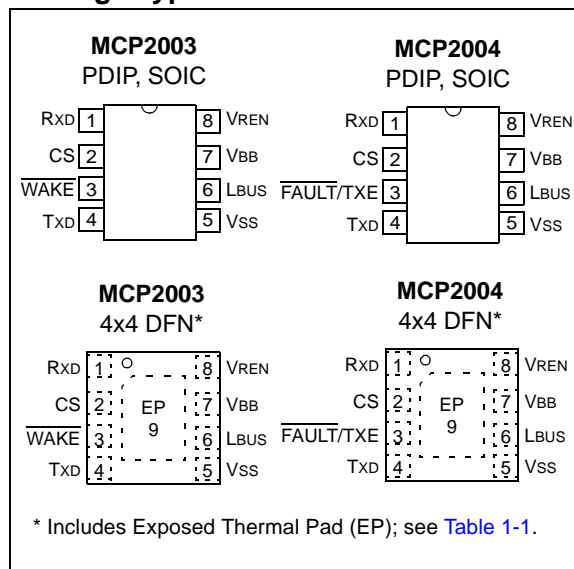
### Description

This device provides a bidirectional, half-duplex communication physical interface to automotive and industrial LIN systems to meet the LIN bus specification Revision 2.1 and SAE J2602. The device is short circuit and overtemperature protected by internal circuitry. The device has been specifically designed to operate in the automotive operating environment and will survive all specified transient conditions while meeting all of the stringent quiescent current requirements.

MCP200X family members:

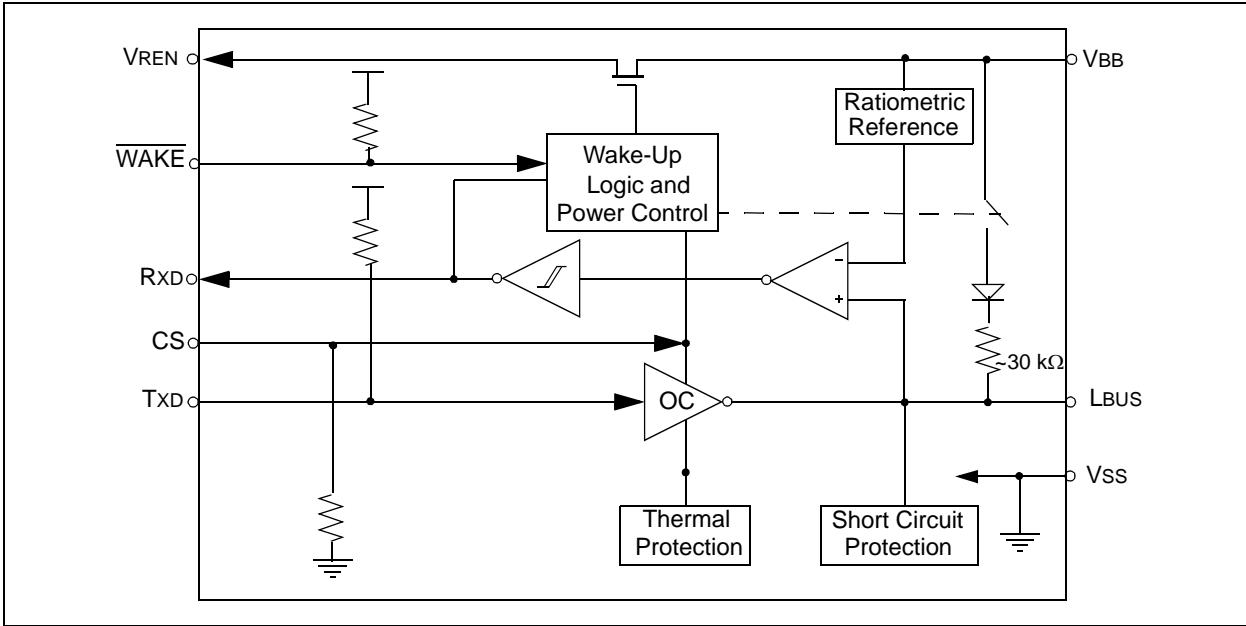
- 8-pin PDIP, DFN and SOIC packages:
  - MCP2003, LIN-compatible driver, with WAKE pins
  - MCP2004, LIN-compatible driver, with FAULT/TXE pins

### Package Types

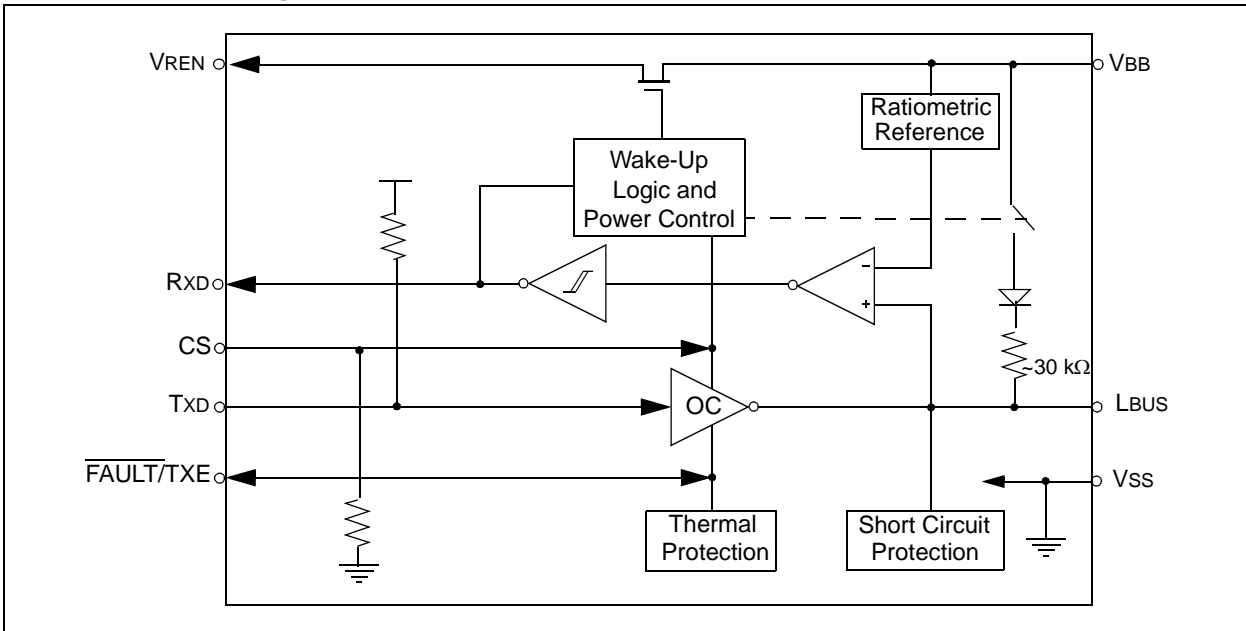


# MCP2003/4

**MCP2003 Block Diagram**



**MCP2004 Block Diagram**



## 1.0 DEVICE OVERVIEW

The MCP2003/4 provides a physical interface between a microcontroller and a LIN bus. This device will translate the CMOS/TTL logic levels to LIN logic level, and vice versa. It is intended for automotive and industrial applications with serial bus speeds up to 20 Kbaud.

LIN specification 2.1 requires that the transceiver of all nodes in the system is connected via the LIN pin, referenced to ground and with a maximum external termination resistance of 510Ω from LIN bus to battery supply. The 510Ω corresponds to 1 master and 15 slave nodes.

The VREN pin can be used to drive the logic input of an external voltage regulator. This pin is high in all modes except for Power Down mode.

### 1.1 External Protection

#### 1.1.1 REVERSE BATTERY PROTECTION

An external reverse-battery-blocking diode should be used to provide polarity protection (see [Example 1-1](#)).

#### 1.1.2 TRANSIENT VOLTAGE PROTECTION (LOAD DUMP)

An external 43V transient suppressor (TVS) diode, between VBB and ground, with a 50Ω transient protection resistor (RTP) in series with the battery supply and the VBB pin serve to protect the device from power transients (see [Example 1-1](#)) and ESD events. While this protection is optional, it is considered good engineering practice.

### 1.2 Internal Protection

#### 1.2.1 ESD PROTECTION

For component-level ESD ratings, please refer to the maximum operation specifications.

#### 1.2.2 GROUND LOSS PROTECTION

The LIN Bus specification states that the LIN pin must transition to the recessive state when ground is disconnected. Therefore, a loss of ground effectively forces the LIN line to a high-impedance level.

#### 1.2.3 THERMAL PROTECTION

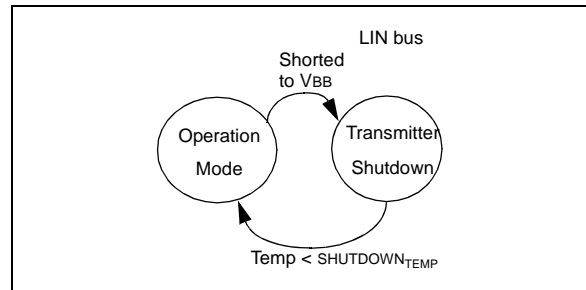
The thermal protection circuit monitors the die temperature and is able to shut down the LIN transmitter.

There are two causes for a thermal overload. A thermal shut down can be triggered by either, or both, of the following thermal overload conditions.

- LIN bus output overload
- Increase in die temperature due to increase in environment temperature

Driving the TXD and checking the RXD pin makes it possible to determine whether there is a bus contention (Rx = low, Tx = high) or a thermal overload condition (Rx = high, Tx = low). After a thermal overload event, the device will automatically recover once the die temperature has fallen below the recovery temperature threshold. See [Figure 1-1](#).

**FIGURE 1-1: THERMAL SHUTDOWN STATE DIAGRAM**



# MCP2003/4

## 1.3 Modes of Operation

For an overview of all operational modes, refer to [Table 1-1](#).

### 1.3.1 POWER-DOWN MODE

In Power Down mode, the transmitter and VREN are both off. Only the receiver section and the wake-up circuits are operational. This is the lowest power mode.

On bus activity (e.g. a BREAK character), CS going to a high level, or on a falling edge on WAKE, the device will immediately enter Ready mode. If CS is held high as the device transitions from Power Down to Ready mode, the device will transition to Operation mode as soon as internal voltages stabilize.

**Note:** Bus activity is defined as L<sub>BUS</sub> dropping below V<sub>IL</sub>(L<sub>BUS</sub>) for longer than the Bus Activity Debounce time (t<sub>BDB</sub>).

### 1.3.2 READY MODE

Upon entering the Ready mode, VREN is enabled and the receiver detect circuit is powered up. The transmitter remains disabled and the device is ready to receive data but not to transmit.

Upon VBB supply pin power-on, the device will remain in Ready mode as long as CS is low. If CS transitions high, the device will enter Operation mode. However, if

the TXD pin is held low when CS goes high, the device will transition to Transmitter Off mode instead of Operation mode.

### 1.3.3 OPERATION MODE

In this mode, all internal modules are operational.

The MCP2003/4 will go into the Power Down mode on the falling edge of CS. The MCP2003/4 will enter Transmitter Off mode in the event of a Fault condition. These include: thermal overload, bus contention and TXD timer expiration.

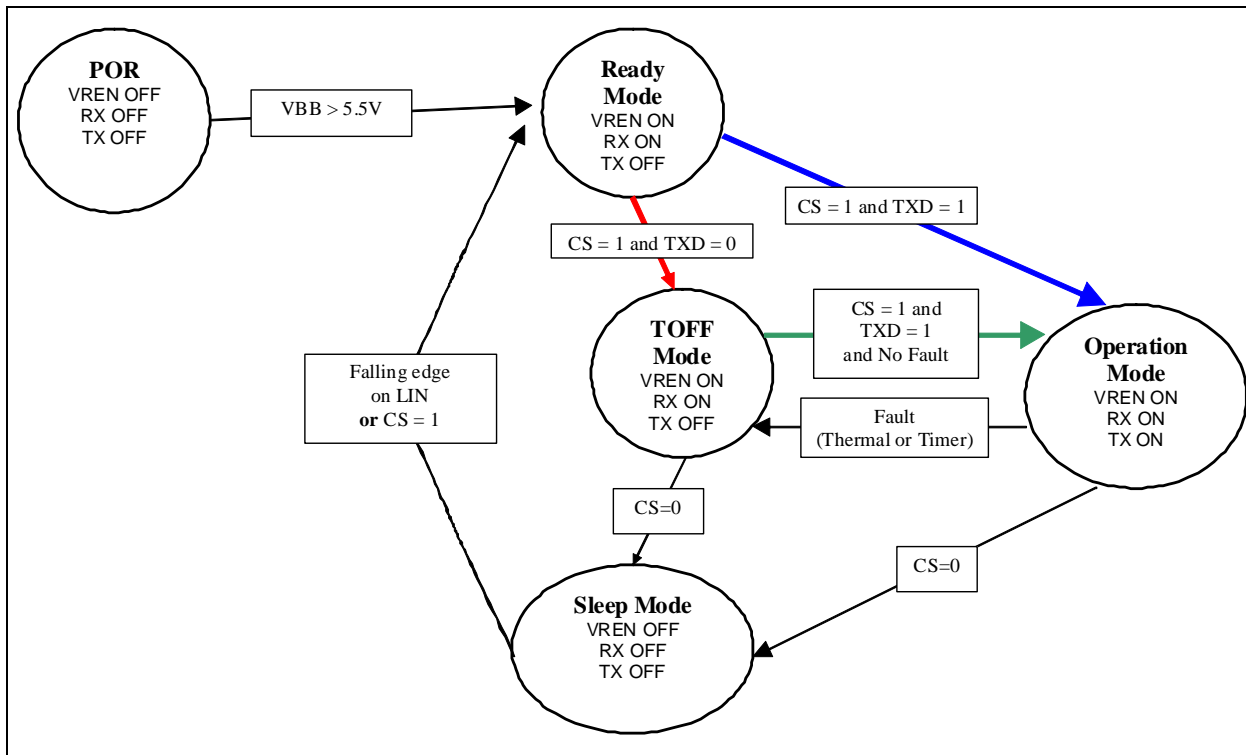
The MCP2004 device can also enter Transmitter Off mode if the FAULT/TXE pin is pulled low

### 1.3.4 TRANSMITTER OFF MODE

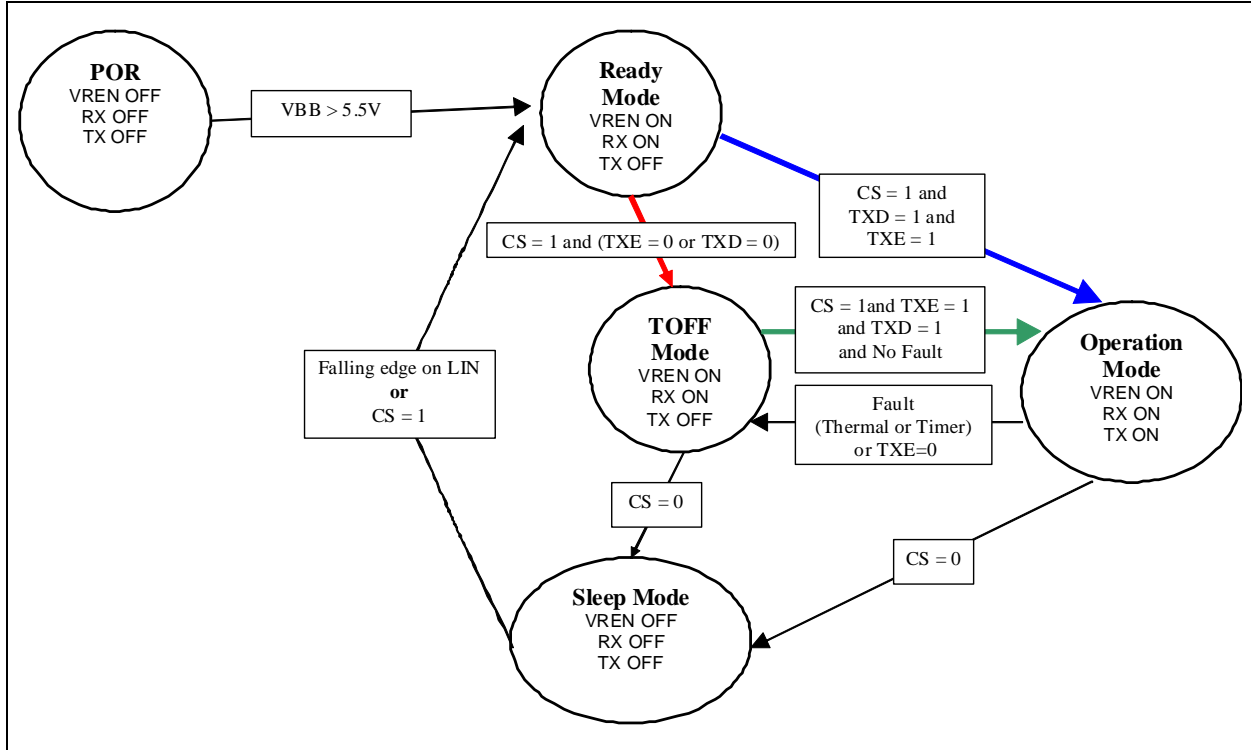
Transmitter Off mode is reached whenever the transmitter is disabled either due to a Fault condition or pulling the nFAULT/TXE pin low on the MCP2004. The fault conditions include: thermal overload, bus contention or TXD timer expiration.

The MCP2003/4 will go into Power Down mode on falling edge of CS, or return to Operation mode if all faults are resolved and the FAULT/TXE pin on the MCP2004 is high.

**FIGURE 1-2: OPERATIONAL MODES STATE DIAGRAM – MCP2003**



**FIGURE 1-3: OPERATIONAL MODES STATE DIAGRAM – MCP2004**



**Note:** While the MCP2003/4 is in thermal shutdown, TXD should not be actively driven high or it may power internal logic through the ESD diodes and may damage the device.

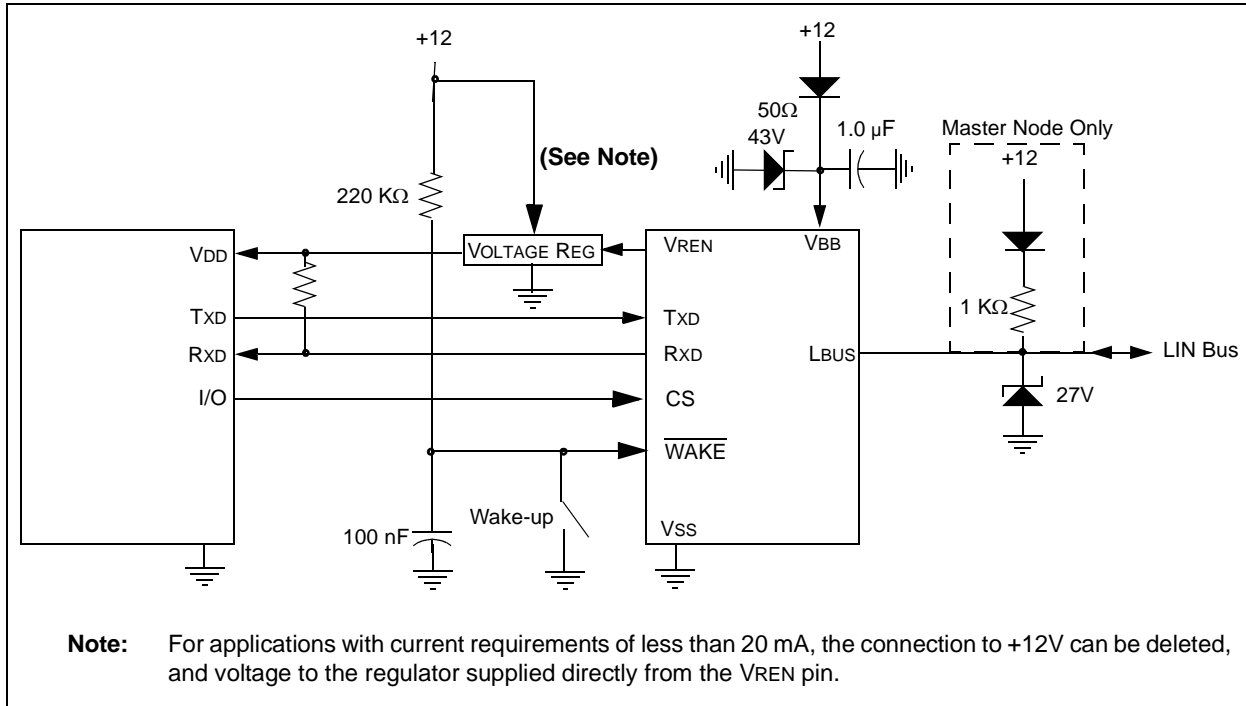
**TABLE 1-1: OVERVIEW OF OPERATIONAL MODES**

State	Transmitter	Receiver	Vren	Operation	Comments
POR	OFF	OFF	OFF	Read CS, if low, then Ready; if high, Operational mode	
Ready	OFF	ON	ON	If CS high level, then Operation mode	Bus Off state
Operation	ON	ON	ON	If CS low level, then Power Down; If FAULT/TXE low level, then Transmitter Off mode	Normal Operation mode
Power Down	OFF	Activity Detect	OFF	On LIN bus falling, go to Ready mode. On CS high level, go to Operation mode	Low Power mode
Transmitter Off	OFF	ON	ON	If CS low level, then Power Down; If FAULT/TXE and TXD high, then Operation mode	FAULT/TXE only available on MCP2004

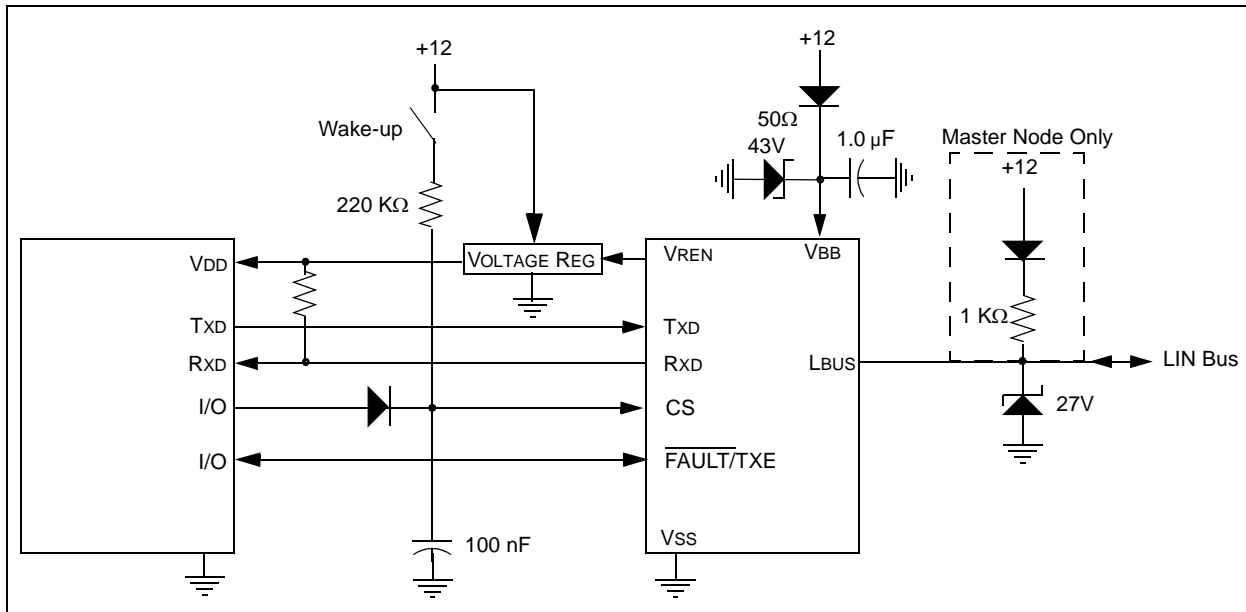
# MCP2003/4

## 1.4 Typical Applications

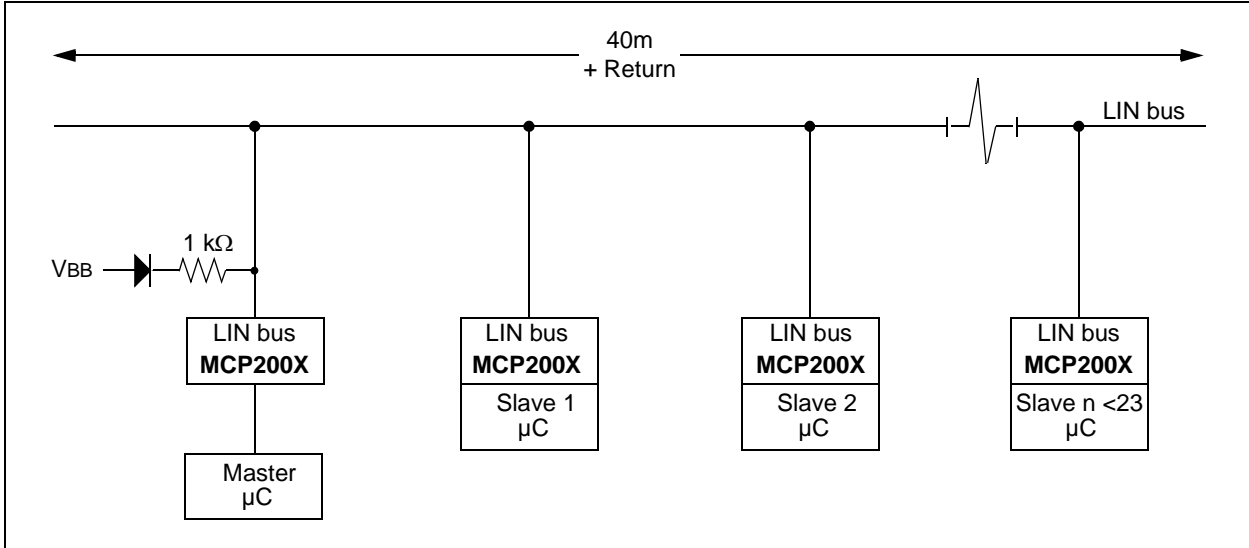
**EXAMPLE 1-1: TYPICAL MCP2003 APPLICATION**



**EXAMPLE 1-2: TYPICAL MCP2004 APPLICATION**



## EXAMPLE 1-3: TYPICAL LIN NETWORK CONFIGURATION



# MCP2003/4

## 1.5 Pin Descriptions

TABLE 1-1: PINOUT DESCRIPTIONS

Pin Name	8-Pin PDIP, SOIC	8-Pin DFN	MCP2003	MCP2004
			Normal Operation	Normal Operation
RXD	1	1	Receive Data Output (OD)	Receive Data Output (OD)
CS	2	2	Chip Select (TTL)	Chip Select/Local WAKE (TTL)
WAKE (MCP2003 only) FAULT/TXE (MCP2004 only)	3	3	Wake up, HV tolerant	Fault Detect Output (OD) Transmitter Enable (TTL)
TXD	4	4	Transmit Data Input (TTL)	Transmit Data Input (TTL)
VSS	5	5	Ground	Ground
LBUS	6	6	LIN bus (bidirectional)	LIN bus (bidirectional)
VBB	7	7	Battery positive	Battery positive
VREN	8	8	Voltage Regulator Enable Output	Voltage Regulator Enable Output
EP	—	9	Exposed Thermal Pad. Do not electrically connect or connect to Vss	Exposed Thermal Pad. Do not electrically connect or connect to Vss

**Legend:** TTL = TTL Input Buffer; OD = Open-Drain Output

### 1.5.1 RECEIVE DATA OUTPUT (RXD)

The Receive Data Output pin is an open drain (OD) output and follows the state of the LIN pin.

### 1.5.2 CS (CHIP SELECT)

Chip Select Input pin. An internal pull-down resistor will keep the CS pin low. This is done to ensure that no disruptive data will be present on the bus while the microcontroller is executing a Power-on Reset and an I/O initialization sequence. The pin must detect a high level to activate the transmitter.

If CS = 0 when the VBB supply is turned on, the device stays in Ready mode. In Ready mode, the receiver is on and the LIN transmitter driver is off.

If CS = 1 when the VBB supply is turned on, the device will proceed to the Operation mode as soon as internal voltages stabilize.

This pin may also be used as a local wake-up input (Refer to [Example 1-1](#)). In this implementation, the microcontroller I/O controlling the CS should be converted to a high-impedance input allowing the internal pull-down resistor will keep CS low. An external switch, or other source, can then wake-up both the transceiver and the microcontroller (if powered).

**Note:** It is not recommended to tie CS high as this can result the MCP2003/4 entering Operation mode before the microcontroller is initialized and may result in unintentional LIN traffic.

### 1.5.3 WAKE UP INPUT ( $\overline{\text{WAKE}}$ )

This pin is only available on the MCP2003.

The  $\overline{\text{WAKE}}$  pin has an internal 800K pull up to VBB. A falling edge on the  $\overline{\text{WAKE}}$  pin causes the device to wake from Power Down mode. Upon waking, the MCP2003 will enter Ready mode

### 1.5.4 $\overline{\text{FAULT/TXE}}$

This pin is only available on the MCP2004. This pin is bidirectional and allows disabling of the transmitter, as well as fault reporting related to disabling the transmitter. This pin is an open-drain output with states as defined in [Table 1-2](#). The transmitter is disabled whenever this pin is low ('0'), either from an internal Fault condition or by an external drive. While the transmitter is disabled, the internal 30 k $\Omega$  pull-up resistor on the LBUS pin is also disconnected to reduce current.

**Note:** The  $\overline{\text{FAULT/TXE}}$  pin is true ('0') whenever the internal circuits have detected a short or thermal excursion and have disabled the LBUS output driver.



**TABLE 1-2: FAULT/TXE TRUTH TABLE**

TXD In	RXD Out	LINBUS I/O	Thermal Override	FAULT/TXE		Definition
				External Input	Driven Output	
L	H	VBB	OFF	H	L	FAULT, TXD driven low, LINBUS shorted to VBB (Note 1)
H	H	VBB	OFF	H	H	OK
L	L	GND	OFF	H	H	OK
H	L	GND	OFF	H	H	OK, data is being received from the LINBUS
x	x	VBB	ON	H	L	FAULT, Transceiver in thermal shutdown
x	x	VBB	x	L	x	NO FAULT, the CPU is commanding the transceiver to turn off the transmitter driver

**Legend:** x = don't care

**Note 1:** The FAULT/TXE is valid after approximately 25  $\mu$ s after TXD falling edge. This is to eliminate false fault reporting during bus propagation delays.

## 1.5.5 TRANSMIT DATA INPUT (TXD)

The Transmit Data Input pin has an internal pull-up. The LIN pin is low (dominant) when TXD is low, and high (recessive) when TXD is high.

For extra bus security, TXD is internally forced to '1' whenever the transmitter is disabled regardless of external TXD voltage.

### 1.5.5.1 TXD Dominant Timeout

If TXD is driven low longer than approximately 10 ms, the L<sub>BUS</sub> pin is switched to Recessive mode and the part enters TOFF mode. This is to prevent the LIN node from permanently driving the LIN Bus dominant. The transmitter is re-enabled on the TXD rising edge.

## 1.5.6 GROUND (Vss)

This is the Ground pin.

## 1.5.7 LIN BUS (L<sub>BUS</sub>)

The bidirectional LIN Bus pin (L<sub>BUS</sub>) is controlled by the TXD input. L<sub>BUS</sub> has a current limited open collector output. To reduce EMI, the edges during the signal changes are slope controlled and include corner rounding control for both falling and rising edges.

The internal LIN receiver observes the activities on the LIN bus, and matches the output signal RXD to follow the state of the L<sub>BUS</sub> pin.

### 1.5.7.1 Bus Dominant Timer

The Bus Dominant Timer is an internal timer that deactivates the L<sub>BUS</sub> transmitter after approximately 25 milliseconds of dominant state on the L<sub>BUS</sub> pin. The timer is reset on any recessive L<sub>BUS</sub> state.

The LIN bus transmitter will be re-enabled after a recessive state on the L<sub>BUS</sub> pin as long as CS is high. Disabling can be caused by the LIN bus being externally held dominant, or by TXD being driven low. Additionally, on the MCP2004, the FAULT pin will be driven low to indicate the Transmitter Off state.

## 1.5.8 BATTERY (VBB)

This is the Battery Positive Supply Voltage pin.

## 1.5.9 VOLTAGE REGULATOR ENABLE OUTPUT (VREN)

This is the External Voltage Regulator Enable pin. Open source output is pulled high to VBB in all modes, except Power Down.

## 1.5.10 EXPOSED THERMAL PAD (EP)

Do not electrically connect, or connect to Vss.

# MCP2003/4

---

NOTES:

## 2.0 ELECTRICAL CHARACTERISTICS

### 2.1 Absolute Maximum Ratings†

V <sub>IN</sub> DC Voltage on RXD, TXD, $\overline{\text{FAULT/TXE}}$ .....	-0.3 to +30V
V <sub>IN</sub> DC Voltage on CS, $\overline{\text{WAKE}}$ and VREN .....	-0.3 to +30V
V <sub>BB</sub> Battery Voltage, continuous .....	-0.3 to +30V
V <sub>BB</sub> Battery Voltage, non-operating (LIN bus recessive, t < 60s) .....	-0.3 to +43V
V <sub>BB</sub> Battery Voltage, transient ISO 7637 Test 1 .....	-200V
V <sub>BB</sub> Battery Voltage, transient ISO 7637 Test 2a .....	+150V
V <sub>BB</sub> Battery Voltage, transient ISO 7637 Test 3a .....	-300V
V <sub>BB</sub> Battery Voltage, transient ISO 7637 Test 3b .....	+200V
V <sub>LBUS</sub> Bus Voltage, continuous.....	-18 to +30V
V <sub>LBUS</sub> Bus Voltage, transient ( <b>Note 1</b> ).....	-27 to +43V
I <sub>LBUS</sub> Bus Short Circuit Current Limit .....	200 mA
ESD protection on LIN, V <sub>BB</sub> (IEC 61000-4-2) ( <b>Note 2</b> ).....	±8 KV
ESD protection on LIN, V <sub>BB</sub> (Human Body Model) ( <b>Note 3</b> ).....	±8 KV
ESD protection on all other pins (Human Body Model) ( <b>Note 3</b> ) .....	±4 KV
ESD protection on all pins (Charge Device Model) ( <b>Note 4</b> ) .....	±2 KV
ESD protection on all pins (Machine Model) ( <b>Note 5</b> ).....	±200V
Maximum Junction Temperature .....	150°C
Storage Temperature .....	-65 to +150°C

**Note 1:** ISO 7637/1 load dump compliant (t < 500 ms).

**2:** According to IEC 61000-4-2, 330 ohm, 150 pF and Transceiver EMC Test Specifications [2] to [4].

**3:** According to AEC-Q100-002/JESD22-A114.

**4:** According to AEC-Q100-011B.

**5:** According to AEC-Q100-003/JESD22-A115.

† **NOTICE:** Stresses above those listed under “Absolute Maximum Ratings” may cause permanent damage to the device. This is a stress rating only and functional operation of the device at those or any other conditions above those indicated in the operational listings of this specification is not implied. Exposure to maximum rating conditions for extended periods may affect device reliability.

# MCP2003/4

## 2.2 DC Specifications

DC Specifications	Electrical Characteristics:					
	Unless otherwise indicated, all limits are specified for: V <sub>BB</sub> = 6.0V to 27.0V T <sub>A</sub> = -40°C to +125°C					
Parameter	Sym	Min.	Typ.	Max.	Units	Conditions
<b>Power</b>						
V <sub>BB</sub> Quiescent Operating Current	IBBQ		90	150	μA	Operating Mode, bus recessive ( <b>Note 1</b> )
V <sub>BB</sub> Transmitter-off Current	IBBTO	—	75	120	μA	Transmitter off, bus recessive ( <b>Note 1</b> )
V <sub>BB</sub> Power Down Current	IBBPD	—	5	15	μA	Transmitter off, bus recessive ( <b>Note 1</b> )
V <sub>BB</sub> Current with V <sub>SS</sub> Floating	IBBNOGND	-1	—	1	mA	V <sub>BB</sub> = 12V, GND to V <sub>BB</sub> , V <sub>LIN</sub> = 0-18V
<b>Microcontroller Interface</b>						
High Level Input Voltage (T <sub>xD</sub> , FAULT/TX <sub>E</sub> )	V <sub>IH</sub>	2.0	—	5.3	V	
Low Level Input Voltage (T <sub>xD</sub> , FAULT/TX <sub>E</sub> )	V <sub>IL</sub>	-0.3	—	0.8	V	
High Level Input Current (T <sub>xD</sub> , FAULT/TX <sub>E</sub> )	I <sub>IH</sub>	-2.5	—	—	μA	Input voltage = 4.0V
Low Level Input Current (T <sub>xD</sub> , FAULT/TX <sub>E</sub> )	I <sub>IL</sub>	-10	—	—	μA	Input voltage = 0.5V
High Level Voltage (V <sub>REN</sub> )	V <sub>HVREN</sub>	-0.3	—	V <sub>BB</sub> +0.3		
High Level Output Current (V <sub>REN</sub> )	I <sub>HVREN</sub>	-20	—	-10	mA	Output voltage = V <sub>BB</sub> -0.5V
High Level Input Voltage (CS)	V <sub>IH</sub>	2.0	—	V <sub>BB</sub>	V	Through a current limiting resistor
Low Level Input Voltage (CS)	V <sub>IL</sub>	-0.3	—	0.8	V	
High Level Input Current (CS)	I <sub>IH</sub>	-10.0	—	10.0	μA	Input voltage = 4.0V
Low Level Input Current (CS)	I <sub>IL</sub>	-5.0	—	5.0	μA	Input voltage = 0.5V
Low Level Input Voltage (WAKE)	V <sub>IL</sub>	V <sub>BB</sub> - 4.0V	—	—	V	
Low Level Output Voltage (R <sub>xD</sub> )	V <sub>OL</sub>	—	—	0.4	V	I <sub>IN</sub> = 2 mA
High Level Output Current (R <sub>xD</sub> )	I <sub>OH</sub>	-1	—	-1	μA	V <sub>LIN</sub> - V <sub>BB</sub> , V <sub>RxD</sub> = 5.5V

**Note 1:** Internal current limited. 2.0 ms maximum recovery time (R<sub>LBUS</sub> = 0Ω, TX = 0.4 V<sub>REG</sub>, V<sub>LBUS</sub> = V<sub>BB</sub>).

**2:** Node has to sustain the current that can flow under this condition; bus must be operational under this condition.

## 2.2 DC Specifications (Continued)

DC Specifications	Electrical Characteristics: Unless otherwise indicated, all limits are specified for: $V_{BB} = 6.0V$ to $27.0V$ $T_A = -40^{\circ}C$ to $+125^{\circ}C$					
	Parameter	Sym	Min.	Typ.	Max.	Units
<b>Bus Interface</b>						
High Level Input Voltage	$V_{IH}(L_{BUS})$	$0.6 V_{BB}$	—	18	V	Recessive state
Low Level Input Voltage	$V_{IL}(L_{BUS})$	-8	—	$0.4 V_{BB}$	V	Dominant state
Input Hysteresis	$V_{HYS}$	—	—	$0.175 V_{BB}$	V	$V_{IH}(L_{BUS}) - V_{IL}(L_{BUS})$
Low Level Output Current	$I_{OL}(L_{BUS})$	40	—	200	mA	Output voltage = $0.1 V_{BB}$ , $V_{BB} = 12V$
Pull-up Current on Input	$I_{PU}(L_{BUS})$	5	—	180	$\mu A$	$\sim 30 k\Omega$ internal pull-up @ $V_{IH}(L_{BUS}) = 0.7 V_{BB}$
Short Circuit Current Limit	ISC	50	—	200	mA	<b>(Note 1)</b>
High Level Output Voltage	$V_{OH}(L_{BUS})$	$0.9 V_{BB}$	—	$V_{BB}$	V	
Driver Dominant Voltage	$V_{LOSUP}$	—	—	1.2	V	$V_{BB} = 7V$ , $R_{LOAD} = 500\Omega$
Driver Dominant Voltage	$V_{HISUP}$	—	—	2.0	V	$V_{BB} = 18V$ , $R_{LOAD} = 500\Omega$
Driver Dominant Voltage	$V_{LOSUP-1K}$	0.6	—	—	V	$V_{BB} = 7V$ , $R_{LOAD} = 1 k\Omega$
Driver Dominant Voltage	$V_{HISUP-1K}$	0.8	—	—	V	$V_{BB} = 18V$ , $R_{LOAD} = 1 k\Omega$
Input Leakage Current (at the receiver during dominant bus level)	$I_{BUS\_PAS\_DOM}$	-1	-0.4	—	mA	Driver off, $V_{BUS} = 0V$ , $V_{BB} = 12V$
Input Leakage Current (at the receiver during recessive bus level)	$I_{BUS\_PAS\_REC}$	—	12	20	$\mu A$	Driver off, $8V < V_{BB} < 18V$ $8V < V_{BUS} < 18V$ $V_{BUS} \geq V_{BB}$
Leakage Current (disconnected from ground)	$I_{BUS\_NO\_GND}$	-10	1.0	+10	$\mu A$	$GND_{DEVICE} = V_{BB}$ , $0V < V_{BUS} < 18V$ , $V_{BB} = 12V$
Leakage Current (disconnected from $V_{BB}$ )	$I_{BUS}$	—	—	10	$\mu A$	$V_{BB} = GND$ , $0 < V_{BUS} < 18V$ , $T_A = -40^{\circ}C$ to $+85^{\circ}C$ <b>(Note 2)</b>
Receiver Center Voltage	$V_{BUS\_CNT}$	$0.475 V_{BB}$	$0.5 V_{BB}$	$0.525 V_{BB}$	V	$V_{BUS\_CNT} = (V_{IL}(L_{BUS}) + V_{IH}(L_{BUS}))/2$
Slave Termination	RSLAVE	20	30	47	$k\Omega$	

**Note 1:** Internal current limited. 2.0 ms maximum recovery time ( $R_{L_{BUS}} = 0\Omega$ ,  $T_X = 0.4 V_{REG}$ ,  $V_{L_{BUS}} = V_{BB}$ ).

**2:** Node has to sustain the current that can flow under this condition; bus must be operational under this condition.

# MCP2003/4

## 2.3 AC Specifications

AC CHARACTERISTICS							V <sub>BB</sub> = 6.0V to 27.0V; T <sub>A</sub> = -40°C to +125°C						
Parameter	Sym	Min.	Typ.	Max.	Units	Test Conditions							
<b>Bus Interface – Constant Slope Time Parameters</b>													
Slope rising and falling edges	tslope	3.5	—	22.5	μs	7.3V ≤ V <sub>BB</sub> ≤ 18V							
Propagation Delay of Transmitter	ttranspd	—	—	4.0	μs	ttranspd = max (ttranspdr or ttranspdf)							
Propagation Delay of Receiver	trecpd	—	—	6.0	μs	trecpd = max (trecpdr or trecpdf)							
Symmetry of Propagation Delay of Receiver rising edge w.r.t. falling edge	trecsym	-2.0	—	2.0	μs	trecsym = max (trecpdf – trecpdr)							
Symmetry of Propagation Delay of Transmitter rising edge w.r.t. falling edge	ttrans-sym	-2.0	—	2.0	μs	ttranssym = max (ttranspdf - ttranspdr)							
Time to sample of FAULT/ TXE for bus conflict reporting	tfault	—	—	32.5	μs	tfault = max (ttranspd + tslope + trecpd)							
Duty Cycle 1 @20.0 kbit/sec		39.6	—	—	%tbit	Cbus;Rbus conditions: 1 nF; 1 kW   6.8 nF; 660W   10 nF; 500W THrec(max) = 0.744 x V <sub>BB</sub> , THdom(max) = 0.581 x V <sub>BB</sub> , V <sub>BB</sub> = 7.0V-18V; tbit = 50 μs D1 = tbus_rec(min) / 2 x tbit)							
Duty Cycle 2 @20.0 kbit/sec		—	—	58.1	%tbit	Cbus;Rbus conditions: 1 nF; 1 kW   6.8 nF; 660W   10 nF; 500W THrec(max) = 0.284 x V <sub>BB</sub> , THdom(max) = 0.422 x V <sub>BB</sub> , V <sub>BB</sub> = 7.6V-18V; tbit = 50 μs D2 = tbus_rec(max) / 2 x tbit)							
Duty Cycle 3 @10.4 kbit/sec		41.7	—	—	%tbit	Cbus;Rbus conditions: 1 nF; 1 kW   6.8 nF; 660W   10 nF; 500W THrec(max) = 0.778 x V <sub>BB</sub> , THdom(max) = 0.616 x V <sub>BB</sub> , V <sub>BB</sub> = 7.0V-18V; tbit = 96 μs D3 = tbus_rec(min) / 2 x tbit)							
Duty Cycle 4 @10.4 kbit/sec		—	—	59.0	%tbit	Cbus;Rbus conditions: 1 nF; 1 kW   6.8 nF; 660W   10 nF; 500W THrec(max) = 0.251 x V <sub>BB</sub> , THdom(max) = 0.389 x V <sub>BB</sub> , V <sub>BB</sub> = 7.6V-18V; tbit = 96 μs D4 = tbus_rec(max) / 2 x tbit)							
<b>Wake-up Timing</b>													
Bus Activity Debounce time	tBDB	5		20	μs	Bus debounce time, 10 μs typical							
Bus Activity to Vren on	tBACTVE	35		150	μs	After Bus debounce time, 52 μs typical							
WAKE to Vren on	tWAKE			150	μs								
Chip Select to Vren on	tCSOR	—		150	μs	Vren floating							
Chip Select to Vren off	tCSPD	—		80	μs	Vren floating							

## 2.4 Thermal Specifications

THERMAL CHARACTERISTICS					
Parameter	Symbol	Typ	Max	Units	Test Conditions
Recovery Temperature	$\theta_{RECOVERY}$	+140	—	°C	
Shutdown Temperature	$\theta_{SHUTDOWN}$	+150	—	°C	
Short Circuit Recovery Time	tTHERM	1.5	5.0	ms	
Thermal Package Resistances					
Thermal Resistance, 8L-DFN	$\theta_{JA}$	35.7	—	°C/W	
Thermal Resistance, 8L-PDIP	$\theta_{JA}$	89.3	—	°C/W	
Thermal Resistance, 8L-SOIC	$\theta_{JA}$	149.5	—	°C/W	

**Note 1:** The maximum power dissipation is a function of  $T_{JMAX}$ ,  $\theta_{JA}$  and ambient temperature  $T_A$ . The maximum allowable power dissipation at an ambient temperature is  $P_D = (T_{JMAX} - T_A) \theta_{JA}$ . If this dissipation is exceeded, the die temperature will rise above 150°C and the MCP2003/4 will go into thermal shutdown.

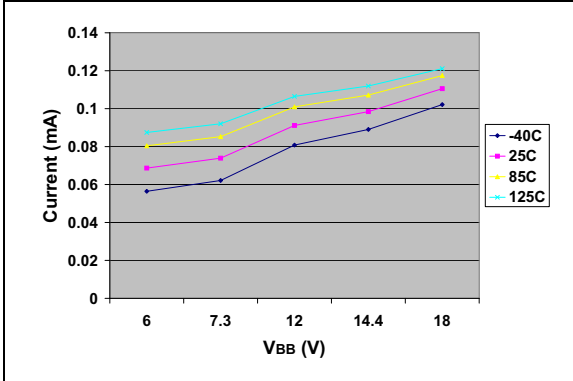
# MCP2003/4

## 2.5 Typical Performance Curves

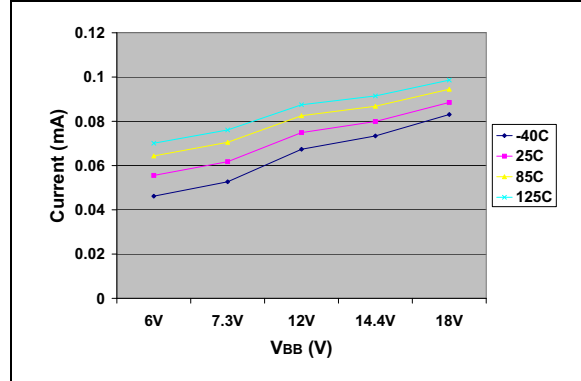
**Note:** The graphs and tables provided following this note are a statistical summary based on a limited number of samples and are provided for informational purposes only. The performance characteristics listed herein are not tested or guaranteed. In some graphs or tables, the data presented may be outside the specified operating range (e.g., outside specified power supply range) and therefore outside the warranted range.

**Note:** Unless otherwise indicated,  $V_{BB} = 6.0V$  to  $18.0V$ ,  $T_A = -40^{\circ}C$  to  $+125^{\circ}C$ .

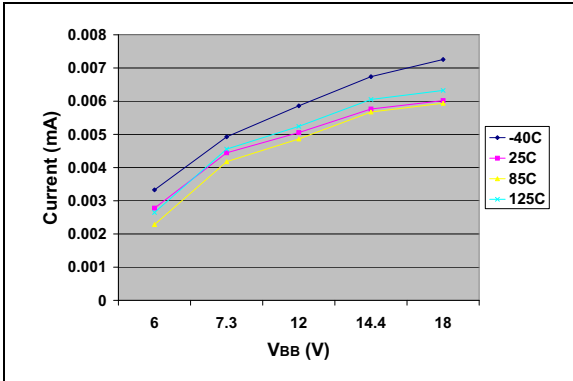
**FIGURE 2-1: TYPICAL IBBQ**



**FIGURE 2-3: TYPICAL IBBTO**



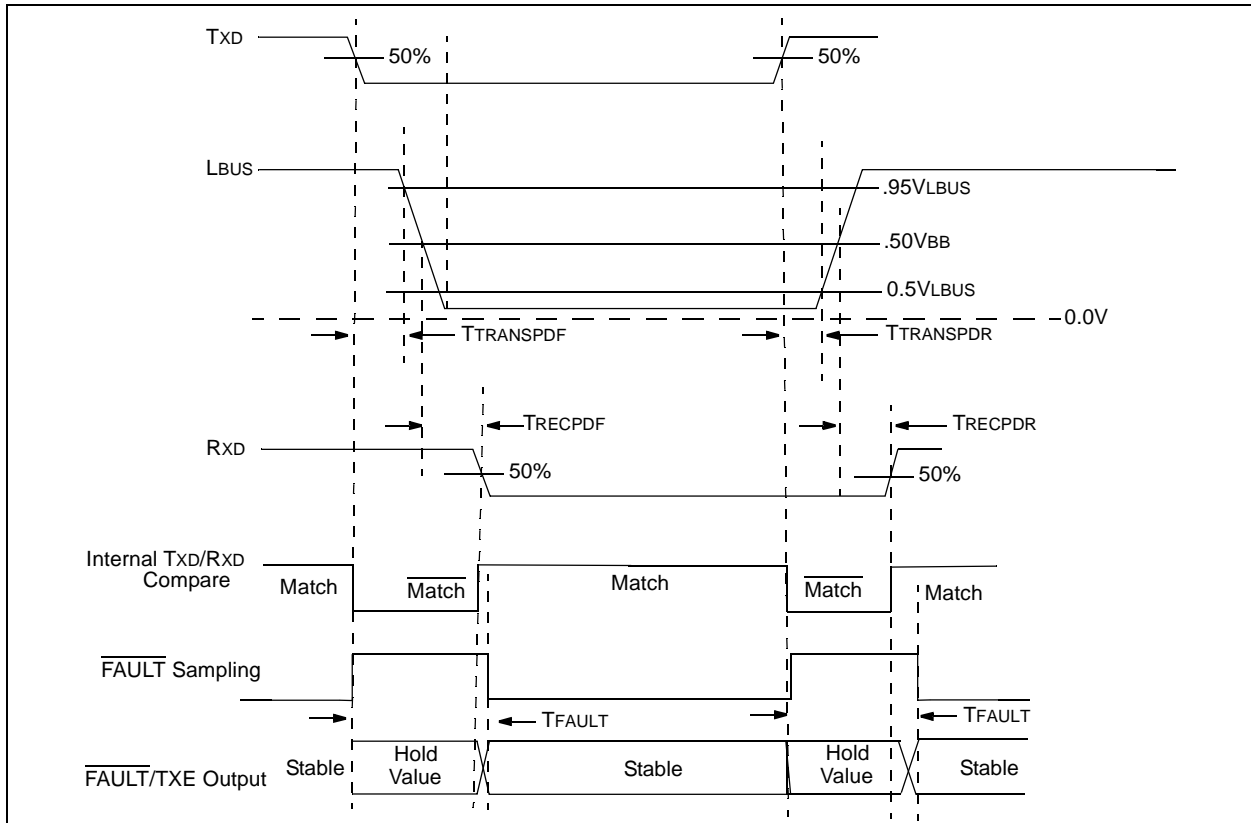
**FIGURE 2-2: TYPICAL IBBPD**



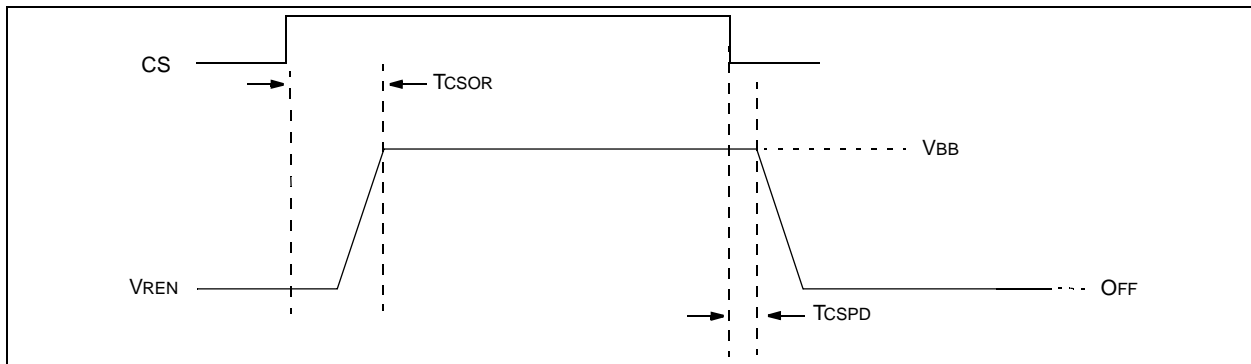


## 2.6 Timing Diagrams and Specifications

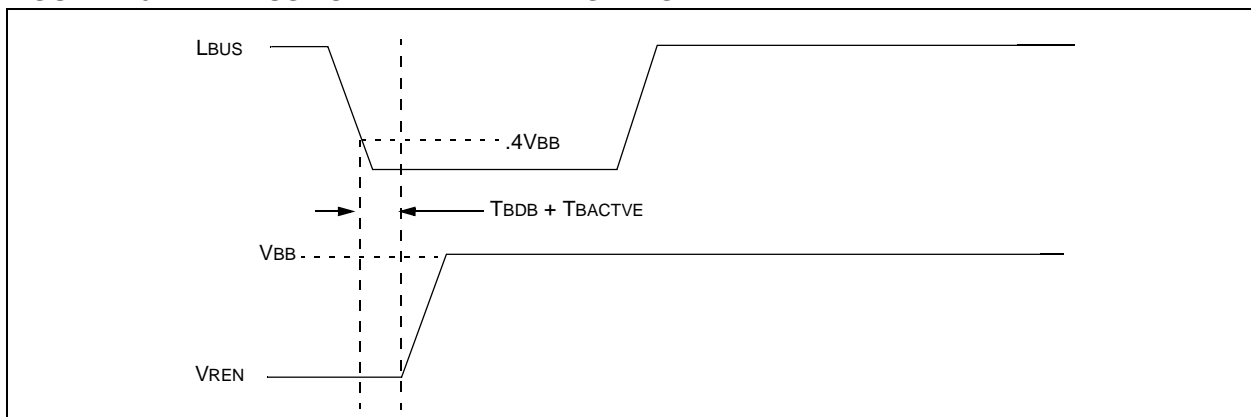
**FIGURE 2-4: BUS TIMING DIAGRAM**



**FIGURE 2-5: CS TO VREN TIMING DIAGRAM**



**FIGURE 2-6: BUS TO VREN WAKE TIMING DIAGRAM**



# MCP2003/4

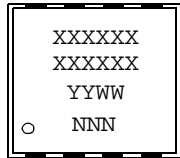
---

NOTES:

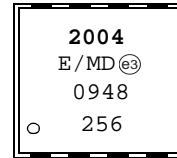
## 3.0 PACKAGING INFORMATION

### 3.1 Package Marking Information

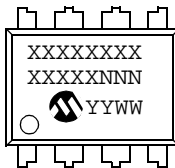
8-Lead DFN (4x4)



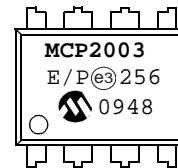
Example:



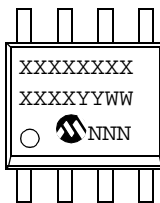
8-Lead PDIP (300 mil)



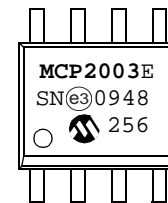
Example:



8-Lead SOIC (150 mil)



Example:



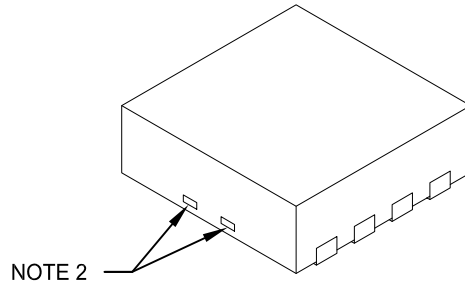
<b>Legend:</b>	XX...X	Customer-specific information
	Y	Year code (last digit of calendar year)
	YY	Year code (last 2 digits of calendar year)
	WW	Week code (week of January 1 is week '01')
	NNN	Alphanumeric traceability code
	e3	Pb-free JEDEC designator for Matte Tin (Sn)
	*	This package is Pb-free. The Pb-free JEDEC designator (e3) can be found on the outer packaging for this package.

**Note:** In the event the full Microchip part number cannot be marked on one line, it will be carried over to the next line, thus limiting the number of available characters for customer-specific information.



## 8-Lead Plastic Dual Flat, No Lead Package (MD) – 4x4x0.9 mm Body [DFN]

**Note:** For the most current package drawings, please see the Microchip Packaging Specification located at <http://www.microchip.com/packaging>



Dimension Limits	Units	MILLIMETERS		
		MIN	NOM	MAX
Number of Pins	N	8		
Pitch	e	0.80 BSC		
Overall Height	A	0.80	0.90	1.00
Standoff	A1	0.00	0.02	0.05
Contact Thickness	A3	0.20 REF		
Overall Length	D	4.00 BSC		
Exposed Pad Width	E2	2.60	2.70	2.80
Overall Width	E	4.00 BSC		
Exposed Pad Length	D2	3.40	3.50	3.60
Contact Width	b	0.25	0.30	0.35
Contact Length	L	0.30	0.40	0.50
Contact-to-Exposed Pad	K	0.20	-	-

**Notes:**

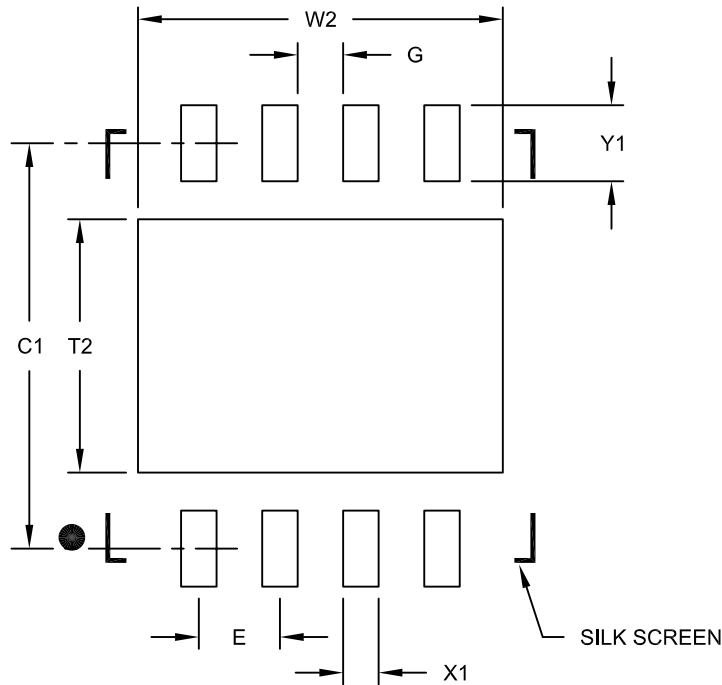
1. Pin 1 visual index feature may vary, but must be located within the hatched area.
2. Package may have one or more exposed tie bars at ends.
3. Package is saw singulated
4. Dimensioning and tolerancing per ASME Y14.5M
  - BSC: Basic Dimension. Theoretically exact value shown without tolerances.
  - REF: Reference Dimension, usually without tolerance, for information purposes only.

Microchip Technology Drawing C04-131E Sheet 2 of 2

# MCP2003/4

## 8-Lead Plastic Dual Flat, No Lead Package (MD) - 4x4x0.9 mm Body [DFN]

**Note:** For the most current package drawings, please see the Microchip Packaging Specification located at <http://www.microchip.com/packaging>



### RECOMMENDED LAND PATTERN

Dimension Limits	Units	MILLIMETERS		
		MIN	NOM	MAX
Contact Pitch	E	0.80 BSC		
Optional Center Pad Width	W2			3.60
Optional Center Pad Length	T2			2.50
Contact Pad Spacing	C1		4.00	
Contact Pad Width (X8)	X1			0.35
Contact Pad Length (X8)	Y1			0.75
Distance Between Pads	G	0.45		

**Notes:**

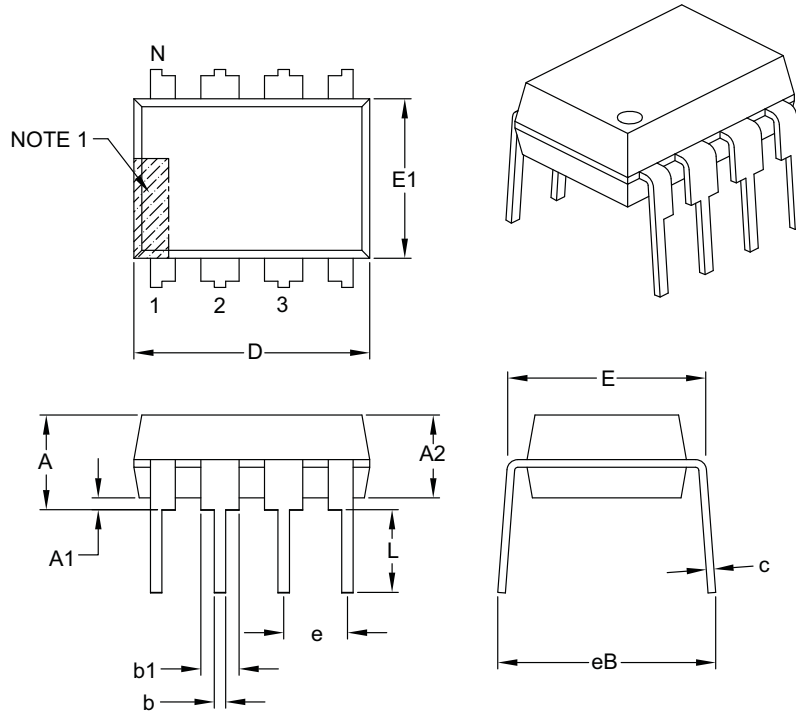
1. Dimensioning and tolerancing per ASME Y14.5M

BSC: Basic Dimension. Theoretically exact value shown without tolerances.

Microchip Technology Drawing No. C04-2131C

## 8-Lead Plastic Dual In-Line (P) – 300 mil Body [PDIP]

**Note:** For the most current package drawings, please see the Microchip Packaging Specification located at <http://www.microchip.com/packaging>



Dimension Limits	Units	INCHES		
		MIN	NOM	MAX
Number of Pins	N	8		
Pitch	e	.100 BSC		
Top to Seating Plane	A	–	–	.210
Molded Package Thickness	A2	.115	.130	.195
Base to Seating Plane	A1	.015	–	–
Shoulder to Shoulder Width	E	.290	.310	.325
Molded Package Width	E1	.240	.250	.280
Overall Length	D	.348	.365	.400
Tip to Seating Plane	L	.115	.130	.150
Lead Thickness	c	.008	.010	.015
Upper Lead Width	b1	.040	.060	.070
Lower Lead Width	b	.014	.018	.022
Overall Row Spacing §	eB	–	–	.430

**Notes:**

1. Pin 1 visual index feature may vary, but must be located with the hatched area.
2. § Significant Characteristic.
3. Dimensions D and E1 do not include mold flash or protrusions. Mold flash or protrusions shall not exceed .010" per side.
4. Dimensioning and tolerancing per ASME Y14.5M.

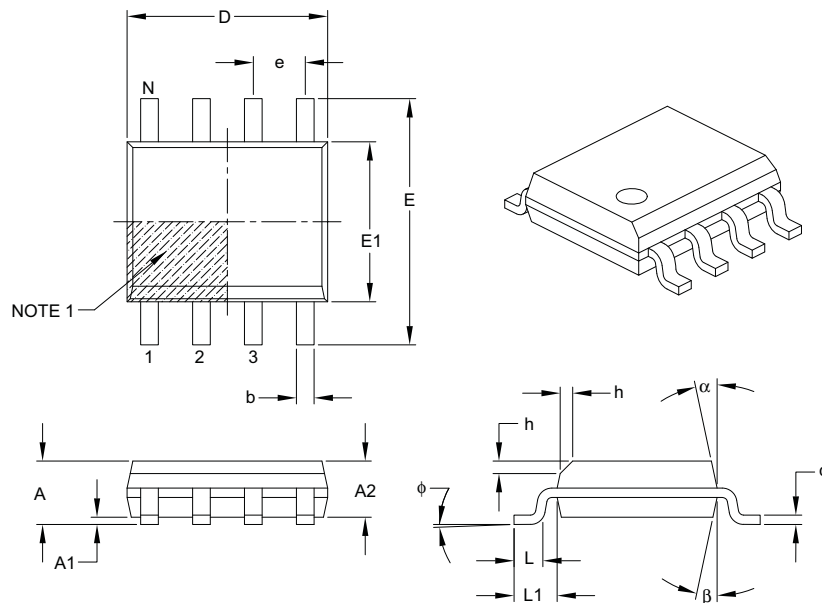
BSC: Basic Dimension. Theoretically exact value shown without tolerances.

Microchip Technology Drawing C04-018B

# MCP2003/4

## 8-Lead Plastic Small Outline (SN) – Narrow, 3.90 mm Body [SOIC]

**Note:** For the most current package drawings, please see the Microchip Packaging Specification located at <http://www.microchip.com/packaging>



Dimension Limits	Units	MILLIMETERS		
		MIN	NOM	MAX
Number of Pins	N	8		
Pitch	e	1.27 BSC		
Overall Height	A	–	–	1.75
Molded Package Thickness	A2	1.25	–	–
Standoff §	A1	0.10	–	0.25
Overall Width	E	6.00 BSC		
Molded Package Width	E1	3.90 BSC		
Overall Length	D	4.90 BSC		
Chamfer (optional)	h	0.25	–	0.50
Foot Length	L	0.40	–	1.27
Footprint	L1	1.04 REF		
Foot Angle	$\phi$	0°	–	8°
Lead Thickness	c	0.17	–	0.25
Lead Width	b	0.31	–	0.51
Mold Draft Angle Top	$\alpha$	5°	–	15°
Mold Draft Angle Bottom	$\beta$	5°	–	15°

**Notes:**

- Pin 1 visual index feature may vary, but must be located within the hatched area.
- § Significant Characteristic.
- Dimensions D and E1 do not include mold flash or protrusions. Mold flash or protrusions shall not exceed 0.15 mm per side.
- Dimensioning and tolerancing per ASME Y14.5M.

BSC: Basic Dimension. Theoretically exact value shown without tolerances.

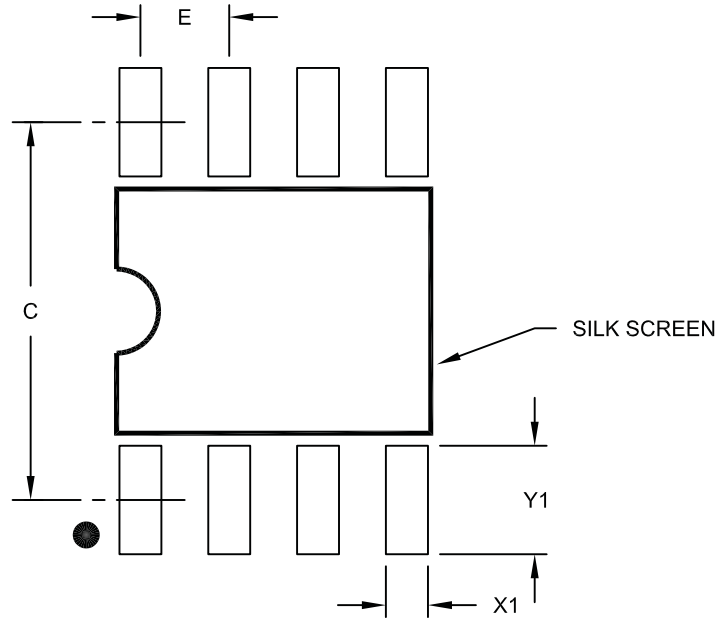
REF: Reference Dimension, usually without tolerance, for information purposes only.

Microchip Technology Drawing C04-057B



## 8-Lead Plastic Small Outline (SN) – Narrow, 3.90 mm Body [SOIC]

**Note:** For the most current package drawings, please see the Microchip Packaging Specification located at <http://www.microchip.com/packaging>



RECOMMENDED LAND PATTERN

Dimension Limits	Units	MILLIMETERS		
		MIN	NOM	MAX
Contact Pitch	E	1.27 BSC		
Contact Pad Spacing	C		5.40	
Contact Pad Width (X8)	X1			0.60
Contact Pad Length (X8)	Y1			1.55

**Notes:**

1. Dimensioning and tolerancing per ASME Y14.5M

BSC: Basic Dimension. Theoretically exact value shown without tolerances.

Microchip Technology Drawing No. C04-2057A

# MCP2003/4

---

NOTES:

## APPENDIX A: REVISION HISTORY

### Revision A (March 2010)

- Original Release of this Document.

# MCP2003/4

---

NOTES:

## PRODUCT IDENTIFICATION SYSTEM

To order or obtain information, e.g., on pricing or delivery, refer to the factory or the listed sales office.

<u>PART NO.</u>	<u>X</u>	<u>/XX</u>	
Device	Temperature Range	Package	
<p>Device:</p> <p>MCP2003: LIN Transceiver with Voltage Regulator  MCP2003T: LIN Transceiver with Voltage Regulator (Tape and Reel) (DFN and SOIC)  MCP2004: LIN Transceiver with Voltage Regulator  MCP2004T: LIN Transceiver with Voltage Regulator (Tape and Reel) (DFN and SOIC)</p> <p>Temperature Range: E = -40°C to +125°C</p> <p>Package:</p> <p>MD = Plastic Micro Small Outline (4x4), 8-lead  P = Plastic DIP (300 mil Body), 8-lead, 14-lead  SN = Plastic SOIC, (150 mil Body), 8-lead</p>			<p><b>Examples:</b></p> <p>a) MCP2003-E/MD: Extended Temperature, 8L-DFN pkg.  b) MCP2003-E/P: Extended Temperature, 8L-PDIP pkg.  c) MCP2003-E/SN: Extended Temperature, 8L-SOIC pkg.  d) MCP2003T-E/MD: Tape and Reel, Extended Temperature, 8L-DFN pkg.  e) MCP2003T-E/SN: Tape and Reel, Extended Temperature, 8L-SOIC pkg.</p> <p>a) MCP2004-E/MD: Extended Temperature, 8L-DFN pkg.  b) MCP2004-E/P: Extended Temperature, 8L-PDIP pkg.  c) MCP2004-E/SN: Extended Temperature, 8L-SOIC pkg.  d) MCP2004T-E/MD: Tape and Reel, Extended Temperature, 8L-DFN pkg.  e) MCP2004T-E/SN: Tape and Reel, Extended Temperature, 8L-SOIC pkg.</p>

# MCP2003/4

---

NOTES:

---

**Note the following details of the code protection feature on Microchip devices:**

- Microchip products meet the specification contained in their particular Microchip Data Sheet.
- Microchip believes that its family of products is one of the most secure families of its kind on the market today, when used in the intended manner and under normal conditions.
- There are dishonest and possibly illegal methods used to breach the code protection feature. All of these methods, to our knowledge, require using the Microchip products in a manner outside the operating specifications contained in Microchip's Data Sheets. Most likely, the person doing so is engaged in theft of intellectual property.
- Microchip is willing to work with the customer who is concerned about the integrity of their code.
- Neither Microchip nor any other semiconductor manufacturer can guarantee the security of their code. Code protection does not mean that we are guaranteeing the product as “unbreakable.”

Code protection is constantly evolving. We at Microchip are committed to continuously improving the code protection features of our products. Attempts to break Microchip's code protection feature may be a violation of the Digital Millennium Copyright Act. If such acts allow unauthorized access to your software or other copyrighted work, you may have a right to sue for relief under that Act.

---

Information contained in this publication regarding device applications and the like is provided only for your convenience and may be superseded by updates. It is your responsibility to ensure that your application meets with your specifications. MICROCHIP MAKES NO REPRESENTATIONS OR WARRANTIES OF ANY KIND WHETHER EXPRESS OR IMPLIED, WRITTEN OR ORAL, STATUTORY OR OTHERWISE, RELATED TO THE INFORMATION, INCLUDING BUT NOT LIMITED TO ITS CONDITION, QUALITY, PERFORMANCE, MERCHANTABILITY OR FITNESS FOR PURPOSE. Microchip disclaims all liability arising from this information and its use. Use of Microchip devices in life support and/or safety applications is entirely at the buyer's risk, and the buyer agrees to defend, indemnify and hold harmless Microchip from any and all damages, claims, suits, or expenses resulting from such use. No licenses are conveyed, implicitly or otherwise, under any Microchip intellectual property rights.

**Trademarks**

The Microchip name and logo, the Microchip logo, dsPIC, KEELOQ, KEELOQ logo, MPLAB, PIC, PICmicro, PICSTART, PIC<sup>32</sup> logo, rPIC and UNI/O are registered trademarks of Microchip Technology Incorporated in the U.S.A. and other countries.

FilterLab, Hampshire, HI-TECH C, Linear Active Thermistor, MXDEV, MXLAB, SEEVAL and The Embedded Control Solutions Company are registered trademarks of Microchip Technology Incorporated in the U.S.A.

Analog-for-the-Digital Age, Application Maestro, CodeGuard, dsPICDEM, dsPICDEM.net, dsPICworks, dsSPEAK, ECAN, ECONOMONITOR, FanSense, HI-TIDE, In-Circuit Serial Programming, ICSP, Mindi, MiWi, MPASM, MPLAB Certified logo, MPLIB, MPLINK, mTouch, Octopus, Omniscient Code Generation, PICC, PICC-18, PICDEM, PICDEM.net, PICkit, PICTail, REAL ICE, rLAB, Select Mode, Total Endurance, TSHARC, UniWinDriver, WiperLock and ZENA are trademarks of Microchip Technology Incorporated in the U.S.A. and other countries.

SQTP is a service mark of Microchip Technology Incorporated in the U.S.A.

All other trademarks mentioned herein are property of their respective companies.

© 2010, Microchip Technology Incorporated, Printed in the U.S.A., All Rights Reserved.

 Printed on recycled paper.

ISBN: 978-1-60932-080-5

*Microchip received ISO/TS-16949:2002 certification for its worldwide headquarters, design and wafer fabrication facilities in Chandler and Tempe, Arizona; Gresham, Oregon and design centers in California and India. The Company's quality system processes and procedures are for its PIC<sup>®</sup> MCUs and dsPIC<sup>®</sup> DSCs, KEELOQ<sup>®</sup> code hopping devices, Serial EEPROMs, microperipherals, nonvolatile memory and analog products. In addition, Microchip's quality system for the design and manufacture of development systems is ISO 9001:2000 certified.*

**QUALITY MANAGEMENT SYSTEM  
CERTIFIED BY DNV  
== ISO/TS 16949:2002 ==**



## WORLDWIDE SALES AND SERVICE

### AMERICAS

**Corporate Office**  
2355 West Chandler Blvd.  
Chandler, AZ 85224-6199  
Tel: 480-792-7200  
Fax: 480-792-7277  
Technical Support:  
<http://support.microchip.com>  
Web Address:  
[www.microchip.com](http://www.microchip.com)

**Atlanta**  
Duluth, GA  
Tel: 678-957-9614  
Fax: 678-957-1455

**Boston**  
Westborough, MA  
Tel: 774-760-0087  
Fax: 774-760-0088

**Chicago**  
Itasca, IL  
Tel: 630-285-0071  
Fax: 630-285-0075

**Cleveland**  
Independence, OH  
Tel: 216-447-0464  
Fax: 216-447-0643

**Dallas**  
Addison, TX  
Tel: 972-818-7423  
Fax: 972-818-2924

**Detroit**  
Farmington Hills, MI  
Tel: 248-538-2250  
Fax: 248-538-2260

**Kokomo**  
Kokomo, IN  
Tel: 765-864-8360  
Fax: 765-864-8387

**Los Angeles**  
Mission Viejo, CA  
Tel: 949-462-9523  
Fax: 949-462-9608

**Santa Clara**  
Santa Clara, CA  
Tel: 408-961-6444  
Fax: 408-961-6445

**Toronto**  
Mississauga, Ontario,  
Canada  
Tel: 905-673-0699  
Fax: 905-673-6509

### ASIA/PACIFIC

**Asia Pacific Office**  
Suites 3707-14, 37th Floor  
Tower 6, The Gateway  
Harbour City, Kowloon  
Hong Kong  
Tel: 852-2401-1200  
Fax: 852-2401-3431

**Australia - Sydney**  
Tel: 61-2-9868-6733  
Fax: 61-2-9868-6755

**China - Beijing**  
Tel: 86-10-8528-2100  
Fax: 86-10-8528-2104

**China - Chengdu**  
Tel: 86-28-8665-5511  
Fax: 86-28-8665-7889

**China - Chongqing**  
Tel: 86-23-8980-9588  
Fax: 86-23-8980-9500

**China - Hong Kong SAR**  
Tel: 852-2401-1200  
Fax: 852-2401-3431

**China - Nanjing**  
Tel: 86-25-8473-2460  
Fax: 86-25-8473-2470

**China - Qingdao**  
Tel: 86-532-8502-7355  
Fax: 86-532-8502-7205

**China - Shanghai**  
Tel: 86-21-5407-5533  
Fax: 86-21-5407-5066

**China - Shenyang**  
Tel: 86-24-2334-2829  
Fax: 86-24-2334-2393

**China - Shenzhen**  
Tel: 86-755-8203-2660  
Fax: 86-755-8203-1760

**China - Wuhan**  
Tel: 86-27-5980-5300  
Fax: 86-27-5980-5118

**China - Xian**  
Tel: 86-29-8833-7252  
Fax: 86-29-8833-7256

**China - Xiamen**  
Tel: 86-592-2388138  
Fax: 86-592-2388130

**China - Zhuhai**  
Tel: 86-756-3210040  
Fax: 86-756-3210049

### ASIA/PACIFIC

**India - Bangalore**  
Tel: 91-80-3090-4444  
Fax: 91-80-3090-4123

**India - New Delhi**  
Tel: 91-11-4160-8631  
Fax: 91-11-4160-8632

**India - Pune**  
Tel: 91-20-2566-1512  
Fax: 91-20-2566-1513

**Japan - Yokohama**  
Tel: 81-45-471- 6166  
Fax: 81-45-471-6122

**Korea - Daegu**  
Tel: 82-53-744-4301  
Fax: 82-53-744-4302

**Korea - Seoul**  
Tel: 82-2-554-7200  
Fax: 82-2-558-5932 or  
82-2-558-5934

**Malaysia - Kuala Lumpur**  
Tel: 60-3-6201-9857  
Fax: 60-3-6201-9859

**Malaysia - Penang**  
Tel: 60-4-227-8870  
Fax: 60-4-227-4068

**Philippines - Manila**  
Tel: 63-2-634-9065  
Fax: 63-2-634-9069

**Singapore**  
Tel: 65-6334-8870  
Fax: 65-6334-8850

**Taiwan - Hsin Chu**  
Tel: 886-3-6578-300  
Fax: 886-3-6578-370

**Taiwan - Kaohsiung**  
Tel: 886-7-536-4818  
Fax: 886-7-536-4803

**Taiwan - Taipei**  
Tel: 886-2-2500-6610  
Fax: 886-2-2508-0102

**Thailand - Bangkok**  
Tel: 66-2-694-1351  
Fax: 66-2-694-1350

### EUROPE

**Austria - Wels**  
Tel: 43-7242-2244-39  
Fax: 43-7242-2244-393

**Denmark - Copenhagen**  
Tel: 45-4450-2828  
Fax: 45-4485-2829

**France - Paris**  
Tel: 33-1-69-53-63-20  
Fax: 33-1-69-30-90-79

**Germany - Munich**  
Tel: 49-89-627-144-0  
Fax: 49-89-627-144-44

**Italy - Milan**  
Tel: 39-0331-742611  
Fax: 39-0331-466781

**Netherlands - Drunen**  
Tel: 31-416-690399  
Fax: 31-416-690340

**Spain - Madrid**  
Tel: 34-91-708-08-90  
Fax: 34-91-708-08-91

**UK - Wokingham**  
Tel: 44-118-921-5869  
Fax: 44-118-921-5820

01/05/10